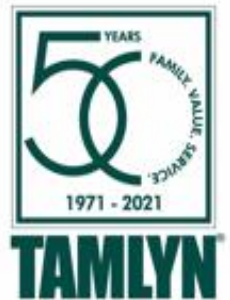


TAMLYN[®]
FAMILY. VALUE. SERVICE.
UNITED KINGDOM

XTREME BUILDING PRODUCTS

UK & Europe May 2024 product catalogue



FAÇADE PRODUCTS | ALUMINIUM TRIMS | BUILDING WRAPS | UNDERLAYS | FIXINGS | FABRICATIONS | FIRE PROTECTION

TABLE OF CONTENTS

About us

TAMLYN was established in May 1971 by Ron Tamlyn sr. With \$800 borrowed money and help from his wife Jean, in a small shed in the back of their modest home in Bellaire, Texas. From a small shed, TAMLYN became a multi million dollar International business with a product line to match. In 2022, Tom Tamlyn retired as CEO after 22 years, and Miguel Gonzales now leads TAMLYN as president and CEO. TAMLYN remains family owned and operated to this day. Our long and successful history is one of quality, innovation, and proven performance. We are proud to be representing the manufacturing sector of the building industry, and have always remained a competitive manufacturer, committed to making quality products. TAMLYN are now present in four continents across the world, North America, South America, Asia and Europe.



Product groups

Pages

Trims for 8 + 10mm systems (Overlapped and T&G)	4-12
Ventilation products	13
Roof underlay and wall wraps	14-17
Fixings	18-20
Cladding products, aluminium panel and louvres, steel sheeting and fibre cement plank	21-27
Tapes and membranes	28
Aluminium cappings	29
Metal top hats	30
Fire wall system + intumescent	31-32
Bespoke	33
UK contacts + international	34-35


Meet the UK commercial team



Chris Mitchell
Managing Director
 (UK and Europe)
 Office: 01386 570898
 Mobile: 07582 901900
cmitchell@tamlyn.com



Bre Hill
UK Commercial and Finance Manager
 Office: 01386 570898
 Mobile: 07841 332923
bhill@tamlyn.com



Tori Wright
UK Customer Services and Operations Manager
 Office: 01386 570898
 Mobile: 07754 895795
twright@tamlyn.com



XTREME METAL FINISHES

Substrate and finishes

Xtreme fabricated Architectural products are available in Aluminium, steel or stainless steel. The finishes available are pre-coated, or powder coated finishes to suit the application, warranty required, or fire rating. (other finishes available on request.) Powder coatings are typically to Qualicoat standards which guarantees a minimum thickness of 40 microns and pre-coated metals can be coated in a range of finishes from Polyester, PVDF or PVF2, in 2,3 and 4 layer finishes.



Coatings in a wide range of colours

Fire Performance

Pre-coated steel and aluminium has a fire rating of A1 in a variety of paint finishes of typically 2-3 layers. Powder coating achieves A2. The ratings depend on the paint thickness, as thicker paint systems are deemed to have more combustible product on the metal. 2-3 layer pre-coat systems are typically A1 whereas 4 layer systems are A2. Mill finish aluminium, or stainless steel are classified as A1.

Warranty

Our standard Warranty on painted architectural fabrications is 30 years, but of course, aluminium has been shown to have a lifespan of well over 100 years in its mill finished form. We can provide a 40 year warranty, but this will be based on using an enhanced powder coating system and is not standard.

The Tamlyn range of Xtreme trims for 8mm and 10mm plank systems have a 20 year warranty.

Colour Range

Tamlyn can provide colour finishes to any RAL colour as standard. We can also do specific colour matching to virtually any colour whether it is a BS, Pantone colour, or special, but these are non standard.

Manufacturing

Tamlyn Xtreme trims and fabricated products are proudly made in the UK. Our standard range of trims are available ex stock, and most products that are made to order are manufactured, coated and delivered in 7-14 days. We can also do a next day service from stock. Please contact us with your requirements.



Up to 40 years coatings⁺ warranty

	Anthracite Grey*		Monterey Taupe*
	Arctic White*		Pearl Grey*
	Midnight Black*		Sail Cloth*
	Boothbay Blue*		Soft Green*
	Cobble Stone*		Timber Bark*
	Grey Slate*		Traditional Red*
	Iron Grey*		Woodland Cream*
	Khaki Brown*		Evening Blue*
	Light Mist*		
	Granite Grey*		

Xtreme colour stock range for plank trims

+ Warranties for the stated periods do not include projects in a coastal location. Please contact Tamlyn UK for project specific details.

Façade products / Aluminium trims / Building wraps/ Underlays / Fixings / Fabrications / Fire protection
www.tamlynbuildingproducts.co.uk sales@tamlyn.uk

XT-EXC

90° EXTERNAL CORNER

For 8mm systems

DESIGN FEATURES

Superior choice for use in mixed material applications. Gives a crisp solid aesthetic appearance and is a versatile corner that can be used with a number of profiles.

MATERIAL

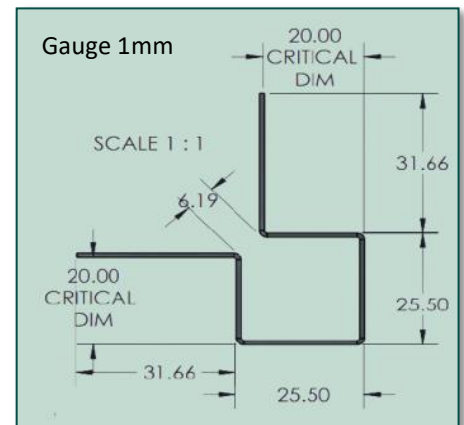
1050 h14 Aluminium alloy with a powder coated finish to requirements of BS6496: 1984:10:6 / BS EN ISO 12206-1:2004. To Qualicoat specifications.

NOTE

Available in all the colours stated on page 3. Stock held in central England. Next day delivery available on all stock lines.



Length 3000mm



XT-INC

90° INTERNAL CORNER

For 8mm systems

DESIGN FEATURES

Authentically replicates the look of a timber corner piece without the maintenance headaches. This eliminates traditional materials that will eventually rot.

MATERIAL

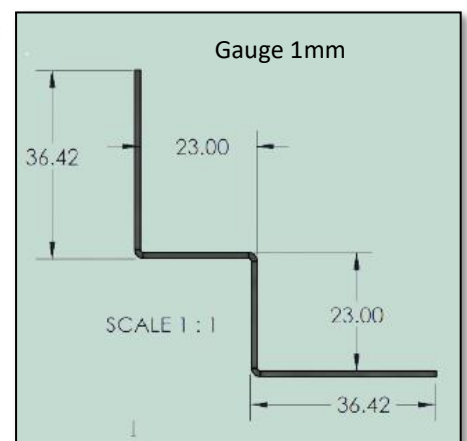
1050 h14 Aluminium alloy with a powder coated finish to requirements of BS6496: 1984:10:6 / BS EN ISO 12206-1:2004. To Qualicoat specifications.

NOTE

Available in all the colours stated on page 3. Stock held in central England. Next day delivery available on all stock lines.



Length 3000mm



XT-EXC135

135° EXTERNAL CORNER

For 8mm systems

DESIGN FEATURES

Superior choice for use in mixed material applications. Ideal for use around bay windows and applications requiring more obtuse angles.

MATERIAL

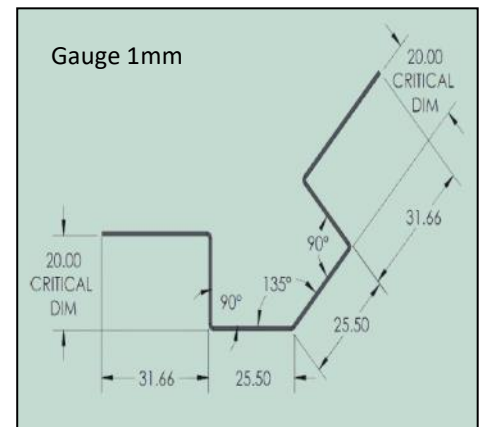
1050 h14 Aluminium alloy with a powder coated finish to requirements of BS6496: 1984:10:6 / BS EN ISO 12206-1:2004. to Qualicoat specifications.

NOTE

Available in all the colours stated on page 3. Stock held in central England. Next day delivery available on all stock lines.



Length 3000mm



XT-INC135

135° INTERNAL CORNER

For 8mm systems

DESIGN FEATURES

Superior choice for use in mixed material applications. Ideal for use around bay windows and applications requiring more obtuse internal angles.

MATERIAL

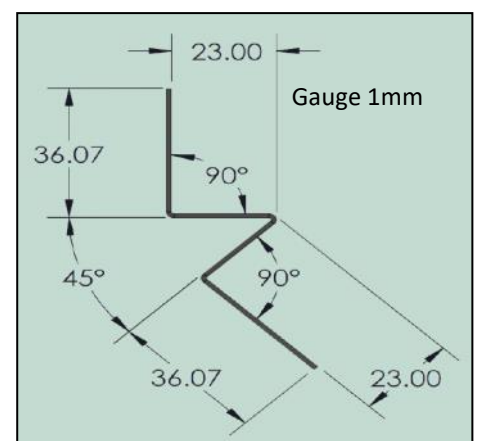
1050 h14 Aluminium alloy with a powder coated finish to requirements of BS6496: 1984:10:6 / BS EN ISO 12206-1:2004. To Qualicoat standards.

NOTE

Available in all the colours stated on page 3. Stock held in central England. Next day delivery available on all stock lines.



Length 3000mm



XT-EP

END PROFILE

For 8mm systems

DESIGN FEATURES

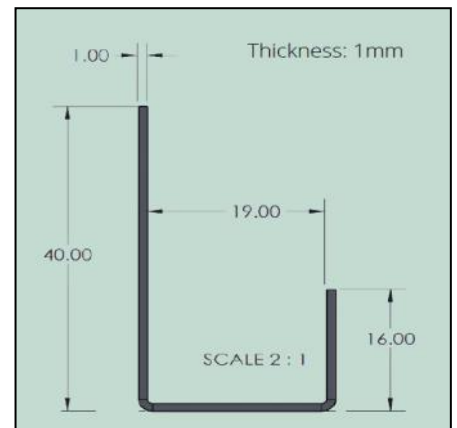
Provides a clean finish at openings, edges of panels or planks and at material transitions. Specifically designed to work in conjunction with other XtremeTrims.

MATERIAL

1050 h14 Aluminium alloy with a powder coated finish to requirements of BS6496: 1984:10:6 / BS EN ISO 12206-1:2004. To Qualicoat specifications.

NOTE

Do not install XtremeTrim® End Profile on horizontal applications where the exterior flange can catch water.



XT-DWFP

DOOR/WINDOW FLASHING PROFILE

For 8mm systems

DESIGN FEATURES

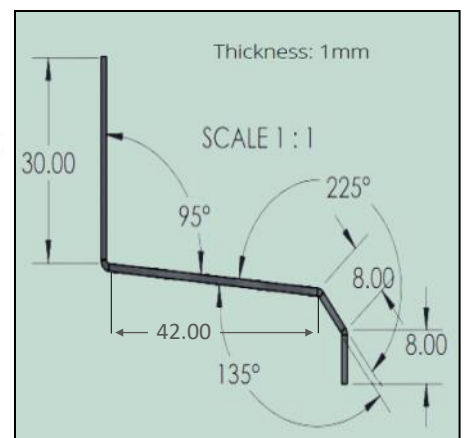
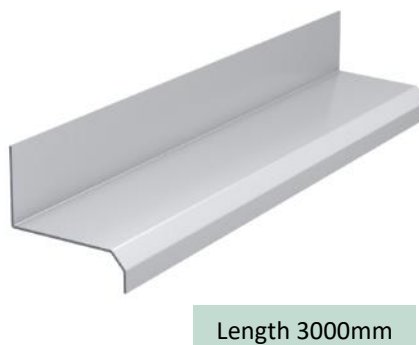
Provides an easy to install and long lasting method of minimising water penetration. Used over window headers, panel intersections and other horizontal transitions.

MATERIAL

1050 h14 Aluminium alloy with a powder coated finish to requirements of BS6496: 1984:10:6 / BS EN ISO 12206-1:2004.

NOTE

Do not install XtremeTrim® window/head flashing on horizontal applications where the exterior flange can catch water



XT-VERT

VERTICAL PROFILE

For 8mm systems

DESIGN FEATURES

Superior choice for use in mixed material applications. Ideal for use in window reveals as opposed to cut plank in this application.

MATERIAL

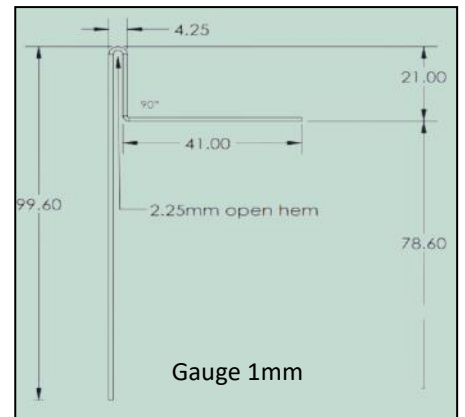
1050 h14 Aluminium alloy with a powder coated finish to requirements of BS6496: 1984:10:6 / BS EN ISO 12206-1:2004.

NOTE

Available in all the colours stated on page 3. Stock held in central England. Next day delivery available on all stock lines.



Length 3000mm



XT-SP

SILL PROFILE

DESIGN FEATURES

Superior choice for use in mixed material applications. Used in combination with our vertical profile and head flashing, it creates the perfect window solution.

MATERIAL

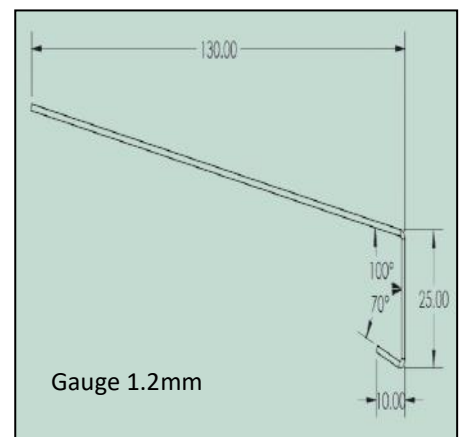
1050 h14 Aluminium alloy with a powder coated finish to requirements of BS6496: 1984:10:6 / BS EN ISO 12206-1:2004.

NOTE

Available in all the colours stated on page 3. Stock held in central England. Next day delivery available on all stock lines.



Length 3000mm



XT-VJP

VERTICAL JOINT PROFILE

For 8mm systems

DESIGN FEATURES

Superior choice for use in mixed material applications. Ideal for use in domestic or commercial applications. Offers greater installation speed on butt jointing.

MATERIAL

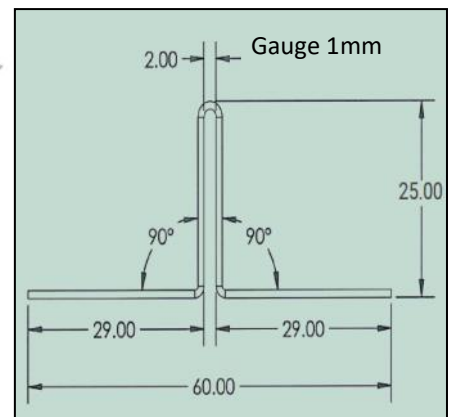
1050 H14 Aluminium alloy with a powder coated finish to requirements of BS6496: 1984:10:6 / BS EN ISO 12206-1:2004.

NOTE

Available in all the colours stated on page 3. Stock held in central England. Next day delivery available on all stock lines.



Length 3000mm



XT-AEC

ASYMMETRIC EXTERNAL CORNER

For 8mm systems

DESIGN FEATURES

Superior choice for use in mixed material applications. Ideal for use in window reveals utilising a fibre cement plank instead of the aluminium vertical profile.

MATERIAL

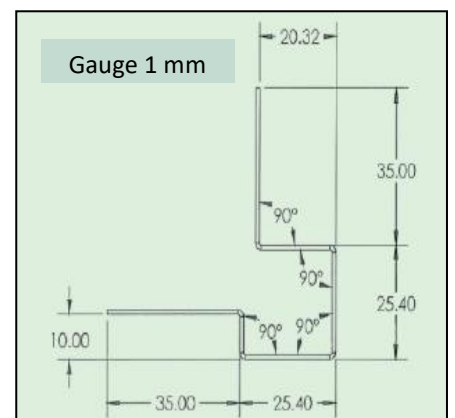
1050 h14 Aluminium alloy with a powder coated finish to requirements of BS6496: 1984:10:6 / BS EN ISO 12206-1:2004.

NOTE

Available in all the colours stated on page 3. Stock held in central England. Next day delivery available on all stock lines.



Length 3000mm



XT-DWCPT

DOOR/WINDOW CUT PLANK TRIM

For 8mm systems

DESIGN FEATURES

Specifically designed to cover the rough cut out edge of a plank over a window or door. Perforated base allows for water drainage. Gives enhanced aesthetics.

MATERIAL

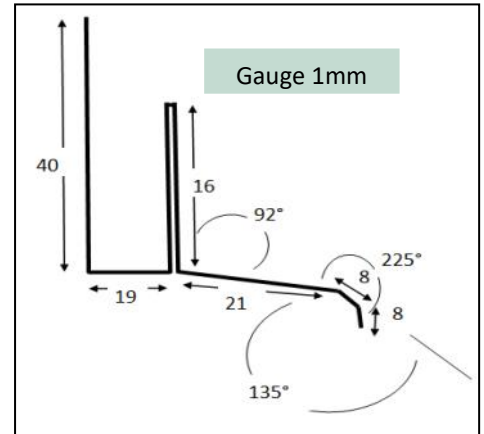
1050 H14 Aluminium alloy with a powder coated finish to requirements of BS6496: 1984:10:6 / BS EN ISO 12206-1:2004.

NOTE

Available in all the colours stated on page 3. Stock held in central England. Next day delivery available on all stock lines.



Length 3000mm



XT-EPRCT

END PROFILE REVEAL COVER TRIM

For 8mm systems

DESIGN FEATURES

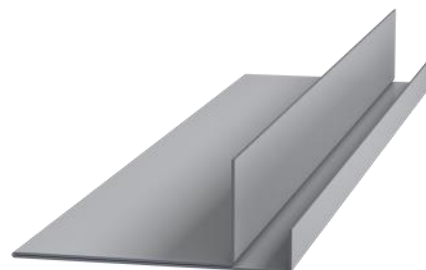
Unique trim used to cover the end plank and featuring a return reveal to cover the cavity depth. Suitable for cavity depths of up to 80mm (leaves a 20mm overlap).

MATERIAL

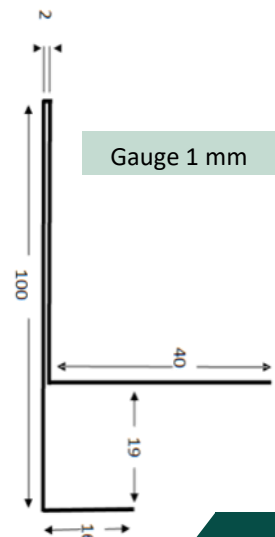
1050 h14 Aluminium alloy with a powder coated finish to requirements of BS6496: 1984:10:6 / BS EN ISO 12206-1:2004.

NOTE

Available in all the colours stated on page 3. Stock held in central England. Next day delivery available on all stock lines.



Length 3000mm



XT-EXC-SF

EXTERNAL CORNER SINGLE FIX

For 8mm systems

DESIGN FEATURES

Unique corner trim that covers both ends of plank on a corner detail. Unlike Christmas tree joints this requires fixing on one side only and allows the plank to slide completely to the end of the trim. Cost effective and very useful.

MATERIAL

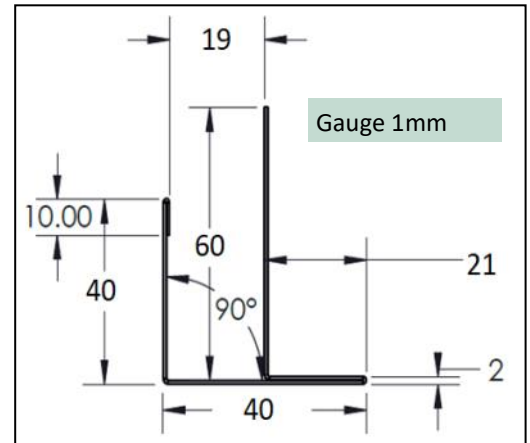
1050 H14 Aluminium alloy, mill-finished.

NOTE

Available ex stock in a variety of popular plank colours.



Length 3000mm



XT-JF

JOINT FLASHING

For all systems

DESIGN FEATURES

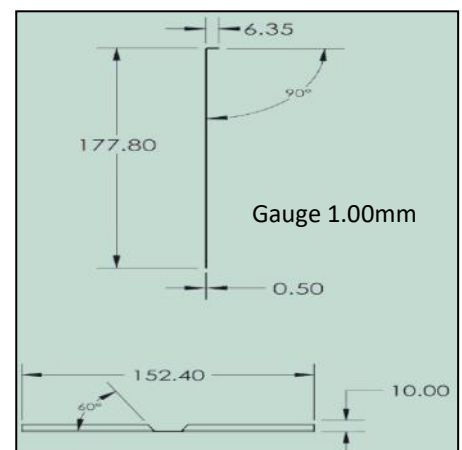
Used to reduce moisture ingress behind the joint between two planks that butt together. Allows water to drain over the top edge of the cladding above the joint. Patented design, A1 fire rated, with pre coated aluminium paint system ensuring long term durability in domestic and commercial applications.

MATERIAL

3003 H44 Aluminium alloy, with polyester coating.

NOTE

Available in black, anthracite, slate grey and light grey.



XT-CC

CORNER CAPS

DESIGN FEATURES

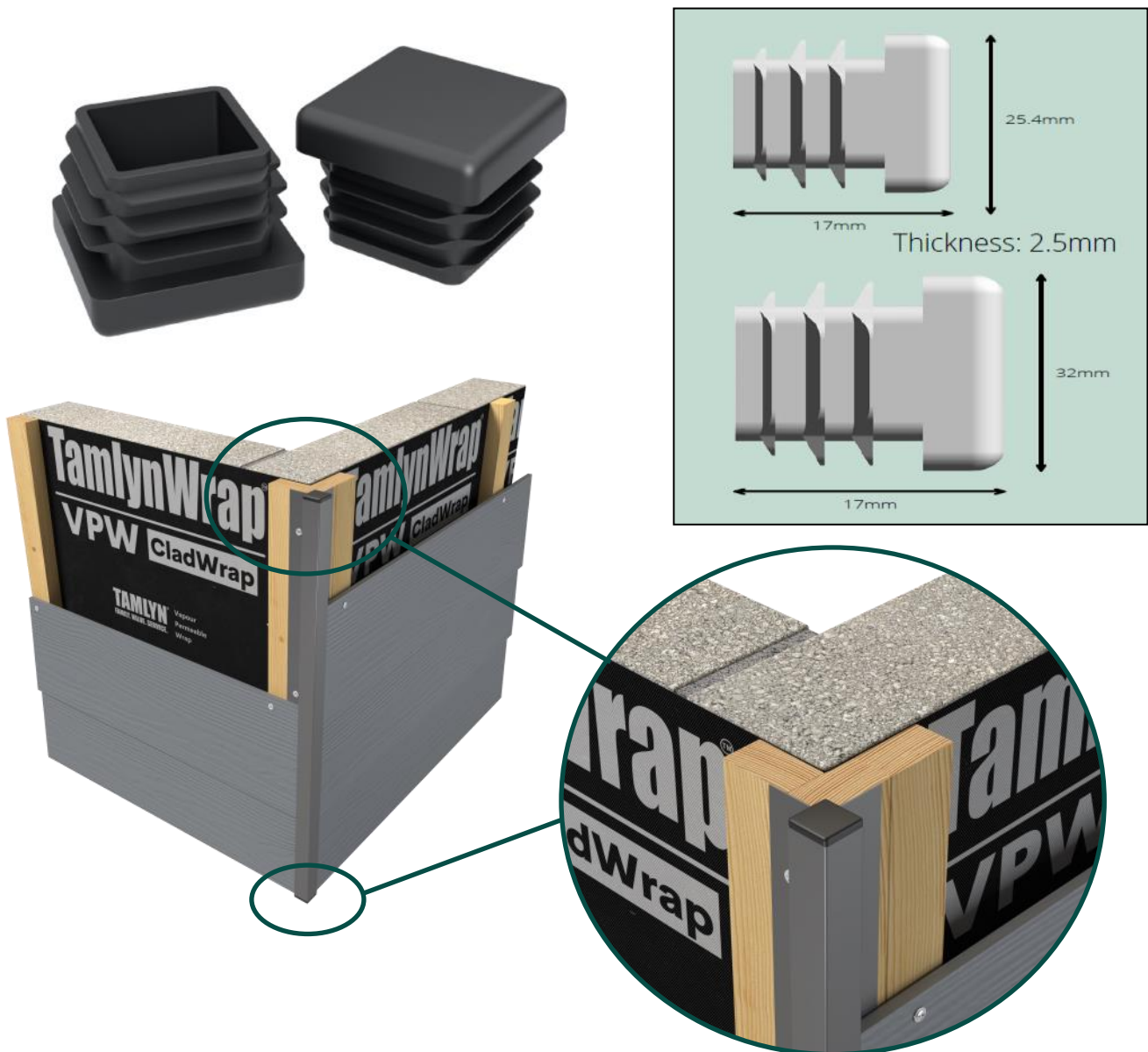
Corner caps are a great accessory to complete the aesthetics of any cladding project where external corners have been used. They neatly cap off the tops and bottoms of external corners to eliminate the risk of large nesting insects from entering the trim. The ribbed design allows for a snug fit.

MATERIAL

LDPE Regranulate. Thermoplastic textured and ribbed.

NOTE

Available in three sizes to suit 8mm and 10mm board. 22mm,25.4mm and 32mm
Colours are white, black and grey. (except 22mm only available in black).



TRIMS FOR 10MM BOARDS

DESIGN FEATURES

Options for both overlap and tongue and groove boards. Powder coated which provides a hard wearing finish and smooth edges, reducing the risk of injury from cuts.

MATERIAL

1050 h14 aluminium alloy with a powder coated finish to requirements of BS6496: 1984:10:6 / BS EN ISO 12206-1:2004.

NOTE

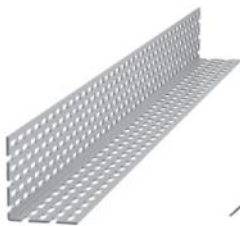
Available in 20 of the most popular 10mm board colours. Manufactured and finished in the UK. Bespoke requirements welcome. Vent strip is mill finished aluminium, also available in black. Lead times apply.

Range Details

In addition to the trims we stock to suit 8mm fibre cement and composite cladding systems, we also offer a range of trims to suit 10mm board also. This range features trims to suit overlap and tongue and groove systems. These trims come powder coated in the colours below, with smooth edge detail and a very hardwearing finish. Mill finish is also available.

Colours available

PRIMED	CREAM WHITE	PEARL
WHITE	SAND YELLOW	PEWTER
BEIGE	ATLAS BROWN	TAUPE
GREY BROWN	DARK GREY	SAGE GREEN
DARK BROWN	SLATE GREY	FOREST GREY
GREY	BLACK	BURNT RED
GREY GREEN	SILVER GREY	VIOLET BLUE



30/40, 30/50 Vent Strip



XT-T&G External Corner



XT-T&G Internal Corner



XT-T&G Connection Profile



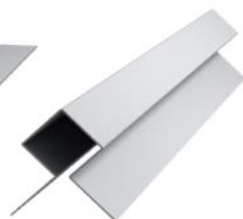
XT-T&G Start Strip

Length 3000mm

Gauge 1mm (vented products 1.2mm)



XT-Lap End Profile



XT-Lap External Corner



XT-Lap Asymmetric Corner



XT-Lap Internal Corner



XT-Lap Start Profile



VENTILATION PRODUCTS

These products are developed to give an unobtrusive appearance around doors, windows, corners and other trim work. The cavity is ventilated by perforations at the top and bottom letting moisture evaporate naturally. If the façade is not ventilated moisture will stay present, leading to Mould fungi and decay.

Bottom Vent products

- ◆ **BVS25** (50mm high x 33mm deep including 8mm kick out) (mill finish aluminium)
- ◆ **BVS38** (50mm high x 46mm deep including 8mm kick out) (mill finish aluminium)
- ◆ **BVS50** (50mm high X 58mm deep including 8mm kick out) (mill finish aluminium)



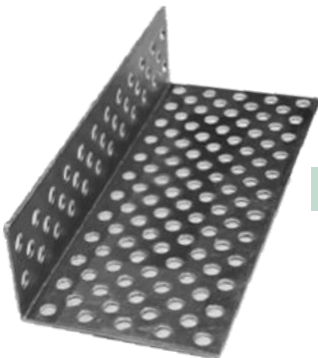
Length 3000mm

Gauge 1mm



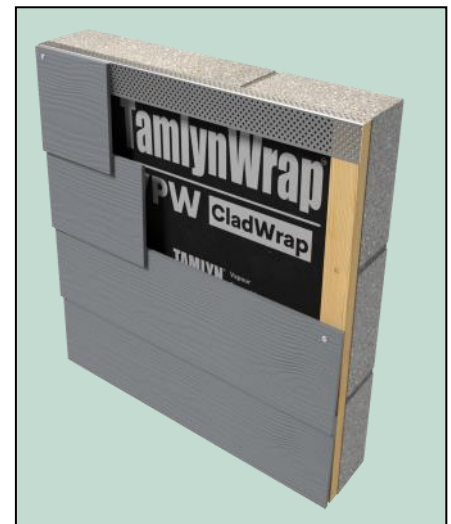
Top Vent products

- ◆ **TVS2538** 25mm x 38mm x 3000mm (mill finish aluminium)
- ◆ **TVS2550** 25mm x 50mm x 3000mm (mill finish aluminium)



Length 3000mm

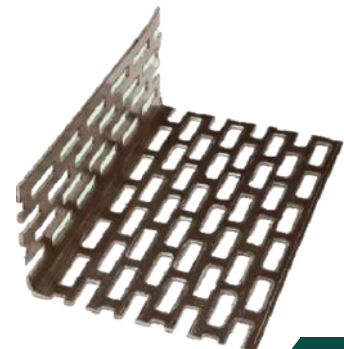
Gauge 1mm



- ◆ **TVS3040** 30mm x 40mm x 2500mm (mill finish aluminium)
- ◆ **TVS3040 BLACK** 30mm x 40mm x 2500mm (Black coated aluminium)
- ◆ **TVS3050** 30mm x 50mm x 2500mm (mill finish aluminium)
- ◆ **TVS30100** 30mm x 100mm x 2500mm (mill finish aluminium)

Length 2500mm

Gauge 0.9mm



XT-VPU-150



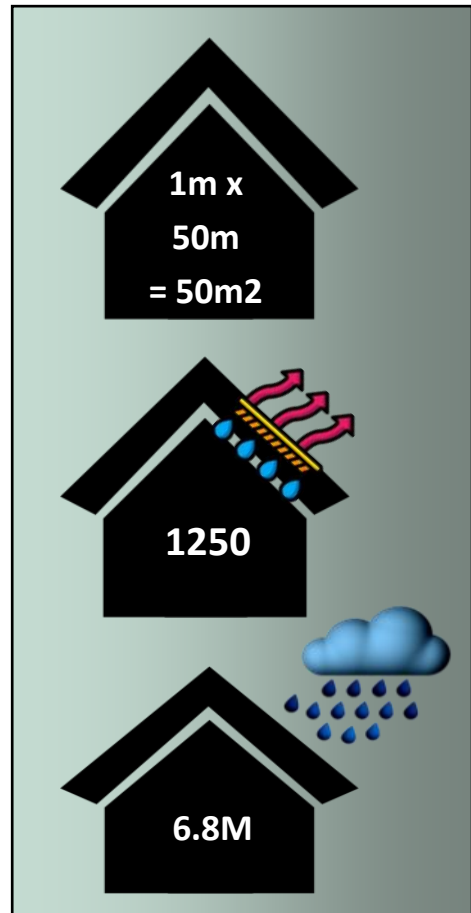
VAPOUR PERMEABLE UNDERLAY

MATERIAL

3 layer construction, Spunbonded polypropylene, engineered microporous film, Spunbonded polypropylene

Key Attributes

- ◆ Suitable for roofing and walling applications
- ◆ Excellent strength values
- ◆ Helps avoid condensation risk
- ◆ Highly vapour permeable membrane
- ◆ UV Stabilised (4 months)
- ◆ 1m x 50m roll (1.5 x 50 also available)
- ◆ Black topside and Underside for a traditional look.
- ◆ Exceptional water resistance. 4 times more water resistant than W1 requirements!
- ◆ Lap lines at 100mm, 150mm, 200mm



Product information

Mass	150g/m ²
Vapour permeability	Sd 0.02m. MNsg 0.1 or 1250 gms/ms per 24hrs
UV resistance	4 months
Number of layers	3 layer
Sizes available	1m x 50m / 1.5m x 50m
Head of Water (HOW)	6.8m
Tensile strength	300N and 250N



Conforms to BS5534

Install as per the ventilation requirements of BS5250

TAMLYNWRAP™ VPW CladWrap

DESIGN FEATURES

- ◆ W1 rated, highly water resistant membrane.
- ◆ Resists water penetration and wind blown dust and snow.
- ◆ Extremely UV resistant, with superb strength values.
- ◆ Easy to cut and handle, overlap markings ensure an accurate installation.
- ◆ 1.5 x 50 metre roll.

MATERIAL

3 layer construction, Spunbonded polypropylene, engineered microporous film, Spunbonded polypropylene

NOTE

Can also be used as a roof underlay due to it's excellent performance.

Data

- ◆ Highly permeable membrane, for use an external wall breather membrane.
- ◆ SIPS, timber frame or steel frame construction.
- ◆ 3 layer construction allows Cladwrap to be also used as an underlay.
- ◆ W1 rating for water resistance.
- ◆ Vapour permeability is five times better than the requirements of a wall breather membrane.
- ◆ Helps the building remain watertight during construction and for the buildings lifetime.
- ◆ Allows interstitial condensation to escape from the building and be vented via the external cavity.
- ◆ UV stabilised.



Installation

VPW CladWrap FR should be fixed directly to sheathing or insulation and secured to the substrate with the appropriate fixings. Stainless steel staples are suitable for timber frame/SIP panels. For SFS or masonry, the membrane must be mechanically fixed, including the use of EPDM washers. Fixing spacings should be no greater than 600mm horizontally and 500mm vertically. Laps around windows and doors should be taped using Cladwrap FR tape. Vertical overlaps must be a minimum 150mm and staggered. Horizontal overlaps must be a minimum 100mm. Installation should begin from the bottom panel to ensure each layer of membrane adequately overlaps the layer below to aid water run off.

TAMLYNWRAP™ VPW CladWrap FR

DESIGN FEATURES

- ◆ A1 fire rated, highly breathable wall wrap membrane
- ◆ W2 rated, water resistant membrane.
- ◆ Extremely UV resistant, extreme temperature range flexibility. (-36°C - 150°C)
- ◆ Easy to cut and handle, jointing tape designed for the product.
- ◆ 1.5 x 50 metre roll. (16kg/roll). 210g/m2 mass per unit area

MATERIAL

Woven glass fibre fabric



Data

- ◆ Highly permeable membrane, for use as an external wall breather membrane.
- ◆ SIPS, timber frame or steel frame construction.
- ◆ W2 rating for water resistance. (EN13111)
- ◆ A1 Fire rated (EN13501-1)
- ◆ Water vapour permeability (Sd) 0.03m (EN12572)
- ◆ Vapour resistance (0.15 MNs/g) (EN12572)
- ◆ Tensile strength (L) 3500N/50mm, (T) 1800N/50mm
- ◆ Helps the building remain watertight during construction and for the building's lifetime.
- ◆ Allows interstitial condensation to escape from the building and be vented via the external cavity.
- ◆ UV resistance without cladding (3 months)
- ◆ Seal joints with **Cladwrap FR tape** (25m x 75mm).



Installation

VPW CladWrap FR should be fixed directly to sheathing or insulation and secured to the substrate with appropriate fixings. Stainless steel staples are suitable for timber frame/SIP panels. For SFS or masonry, the membrane must be mechanically fixed, including the use of EPDM washers. Fixing spacings should be no greater than 600mm horizontally and 500mm vertically. Laps around windows and doors should be taped using Cladwrap FR tape. Vertical overlaps must be a minimum 150mm and staggered. Horizontal overlaps must be a minimum 100mm. Installation should begin from the bottom panel to ensure each layer of membrane adequately overlaps the layer below to aid water run off.

TAMLYNWRAP REFLECTAFLAME

DESIGN FEATURES

Highly reflective, low emissivity surface house wrap which achieves A2-s1,d0 fire rating. It will resist the spread of flame across the cavity of the building.

MATERIAL

A2-s1, d0 fire rated glass fibre reinforced membrane with solid aluminium foil. Highly vapour permeable achieved by an engineered central film.

NOTE

Available in 1.2 x 35m rolls (18kg). Accompanying sealing tape for use around windows and doors available, in 50mm x 50m and 100m x 50m rolls.

Fire Rating

A2-s1, d0 fire rated, glass reinforced membrane with solid aluminium foil, recognised as being non-combustible in Scotland and 'limited combustibility' in the rest of the UK

Performance figures

- ◆ Breathability—0.08 (sd) - 0.32 mns/g/24hrs
- ◆ Emissivity value 0.03-0.05

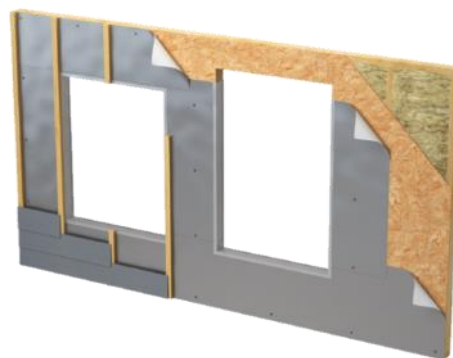
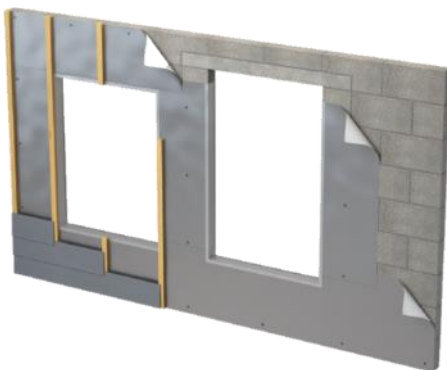
Product Details



Reflectaflame is a highly vapour permeable building wrap which can be used in high rise, multi storey, domestic and off-site construction applications. Its unique composition, boasting a class leading A2-s1,d0 fire rating, will safely resist the spread of flame across the cavity of a building. Its low emissivity reflective surface will boost the u-value of the wall structure, potentially offering a 20mm saving in PIR insulation.

It can be used to benefit all manner of construction methods; timber frame, SIP panel, SFS, traditional masonry, as well as being suitable for the static caravan and residential park home industry.

Reflectaflame has an extremely high uv resistance which means it will stand the test of time. Its 430gsm heavyweight glass fibre composition gives the product incredible strength values and makes it almost impossible to tear. It achieves a W1 rating for water penetration which far exceeds the requirements for vertical membranes, and it carries the same level of waterproofing as that of roofing underlays. Simple and easy to install, thanks to a roll size of 1.2m x 35m.



Reflectaflame is applied horizontally across the face of the building, fixed at 600mm centres across and 500mm centres vertically.

XTREME FIXINGS

A quick guide to Tamlyn fixings and finishes

Hex head self drilling screw

Available in carbon steel (no warranty) or stainless steel 20-30 yr warranty. Self drilling into steel sheet and light steel supports such as top hats. Colour matched to sheets using coloured nylon hex caps. Washers are typically 16mm .



Nyco head self drilling screw

Available in carbon steel (no warranty) or stainless steel 20-30 yr warranty. Self drilling into steel sheet and light steel supports such as top hats. These fixings have an injection moulded coloured head which is integral to the fastener. As opposed to traditional hex caps, there is no danger of these coming off, or being eaten by seagulls etc.



Powder coated self drilling screw

Available in carbon steel (no warranty), or stainless steel 20-30 yr warranty. Self drilling into steel sheet and light steel supports such as top hats. These fixings have a polyester powder coated head for ultimate durability and colour fastness. Available in most RAL colours.



Sheet stitching screws

These fixings are known as stitchers and are designed to pull together the sides of two metal sheets. Self drilling point and a tapered shank to tightly pull sheet laps together. Available in standard hex head, Nyco and powder coated options.



Sharp point fixings

As the title suggest thes fixings have a sharp point for screwing into cementitious boards, timber and other products that don't need to be drilled. Pozi drive head, and countersunk for a flat finish when overlapping sheets and planks.



Coloured Torx fixings

Specifically designed for visible fixings on fibre cement planks. Stainless steel, and with a powder coated head to suit the colour of the plank. These fixings also have a sharp point and a Torx head for positive driving into the plank.



Pancake (pan) head trim fixings

Ultra low profile fixings designed to fix aluminium trim profiles to timber or steel substrates. Low profile head allows the plank to sit in front. Stainless steel to avoid bi metallic corrosion, with a Philips head.



XTREME FIXINGS (Plank and trims)

DESIGN FEATURES

Excellent range of board and façade fixings. Multiple size options to suit both 8mm and 10mm board thicknesses. Ultimate corrosion resistant, A2 stainless steel screws to ensure suitability in the harshest environments. Many colours available from stock to suit most manufacturers colours. Board fixings are sharp point to assist with penetration through fibre cement board. S/S self drillers for fixing trims and aluminium cladding planks.

MATERIAL

A2 Stainless steel /Organic Carbon steel façade, trim and board fixing screws. Also plain carbon steel.

NOTE

Always double check with the system manufacturer to ascertain correct fixing specification.

Product Details

Xtreme fixing screws are manufactured from A2 stainless steel to ensure their suitability for use in the harshest environments. Screws ensure there is no plank rattle or chatter in high winds as opposed to nails which can move over time. We also supply organic coated carbon steel and carbon steel as cost effective alternatives.

Available options

◆ Plank fixing (hidden)

Pozi head, countersunk, sharp point, 4.0mm x 45mm, A2 Stainless steel fixing screw. Box of 200 (for 38mm or 50mm batten installation) and 30mm (for 25mm batten installation).

(XT-FIX30MM / XT-FIX45MM)



◆ Plank fixing (visible).

Coloured Torx, 4.8mm x 38mm, A2 SS façade fixing screw Box of 100 (for 38mm or 50mm batten installation) and 32mm (for 25mm batten installation). Wide range of colours to suit most plank manufacturers plank.

(XT-SCREW32 / 38)



◆ Aluminium trim fixing.

Self drilling 5.5mm x 25mm, A2 stainless steel or carbon steel pancake head for unobtrusive fixing of Aluminium trims. Box of 100.

(XT-TF-SS25 (stainless steel) ,



XTREME FIXINGS (Roof and wall sheets)

NOTE

Always double check with the system manufacturer to ascertain correct fixing specification.

Available options

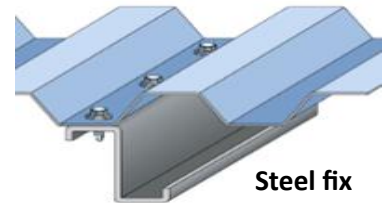
◆ Trapezoidal sheets (0.7mm steel) (Fixing into light steel)

Hex head self drillers for roof and wall sheet . Capable of drilling through 0.7mm steel sheet and into 1.5mm steel top hats. A range of coated head options. 16mm washers. Valley fix. (5.5 mm x 25mm)

Hex head carbon steel. (Use coloured hex caps.) **Hex head Stainless steel.** (Use coloured hex caps.)

Nyco head, carbon steel.

Powder coated head, carbon steel.



Steel fix

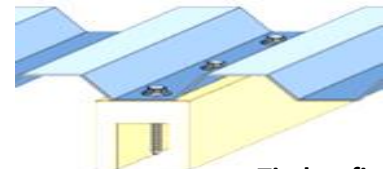
◆ Trapezoidal sheets (0.7mm steel) (Fixing into timber)

Hex head self drillers for roof and wall sheet . Capable of drilling through 0.7mm steel sheet and into 38mm (min) batten thickness, unless there is additional timber behind the batten. Valley fix (6.3mm x 32mm)

Hex head carbon steel. (Use coloured hex caps.) **Hex head stainless steel.** (Use coloured hex caps.)

Nyco head, carbon steel.

Powder coated head, carbon steel.



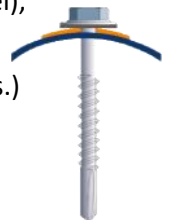
Timber fix

◆ Sinusoidal sheets (0.7mm) (Crown fixing) (Steel and timber fix)

Hex head self drillers for roof and wall sheet . Capable of drilling through 0.7mm steel sheet and into 1.5mm steel top hats. A range of coated head options. 16mm washers. Crown fix. (5.5 mm x 50mm (steel), 6.3 x 60mm (Timber)

Hex head carbon steel. (Use coloured hex caps.) **Hex head stainless steel** (Use coloured hex caps.)

Powder coated head, carbon steel.



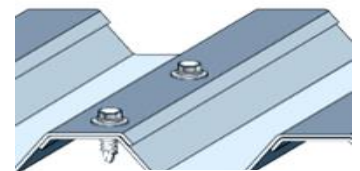
◆ Stitchers (0.7mm steel) Sidelap stitching screws

Hex head self drillers for stitching steel sheets together. A range of coated head options. (6.3 mm x 22mm (steel). (16mm washer)

Carbon steel hex head. (Use coloured hex caps.) **Stainless steel hex head.** (Use coloured hex caps.)

Powder coated head, carbon steel.

Nyco head, carbon steel. Nyco head, Stainless steel.



Sheet stitchers

◆ Rooflight fixings for trapezoidal sheets (5.5mm x 32mm Carbon / 5.5mm x 38mm Stainless)

(29mm washers) Poppy red cover caps required.

Hex head carbon steel / Hex head Stainless Steel



XT-PLC

XTREME PLANK SYSTEM

FIBRE CEMENT

DESIGN FEATURES

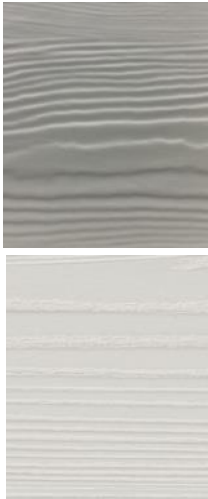
Xtreme cementitious plank is a reinforced cellulose fibre cement product with High impact resistance, weathering properties and durability.

MATERIAL

Refined cellulose fibre cement. Fire classification to BS EN 13501-1:2018

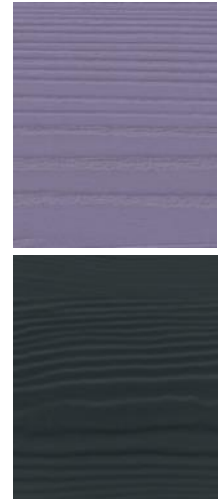
NOTE

Available in 20 standard colours. Weight = 7.82kg/ plank - 11.25kg/per m²
Coverage = 0.59m² (inc 30mm overlap)
Plank dimensions (3660mm x 190mm X 8mm)



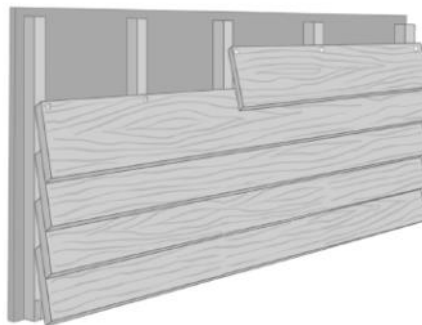
Fire classification to BS EN 13501-1: 2018 A1

- UK factory applied colour
- High levels of weather resistance
- Easy to install and lightweight
- Range of colour matching aluminium trims available
- Resistant to rot, fungus or insect attacks
- Able to match to any RAL, BS or NCS colour
- Low maintenance, long performance life



Suitable for the following construction types

-  Steel frame
-  Timber frame
-  Modular / Offsite
-  Masonry



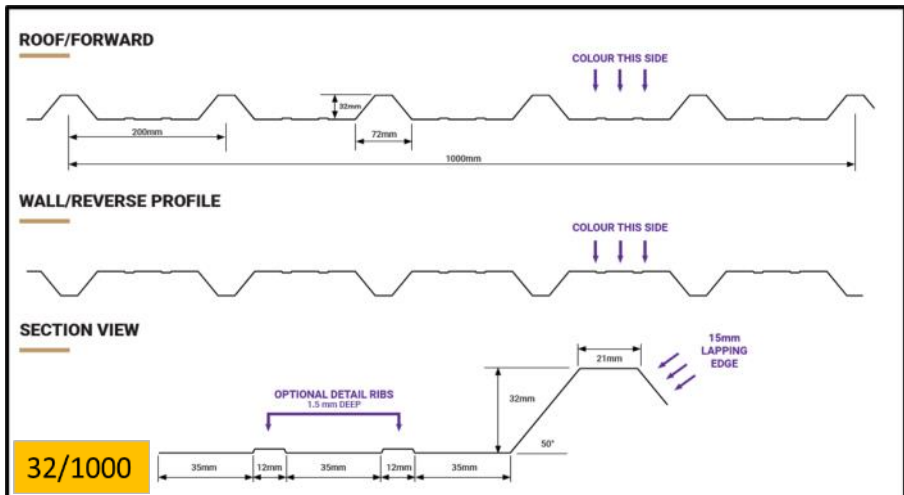
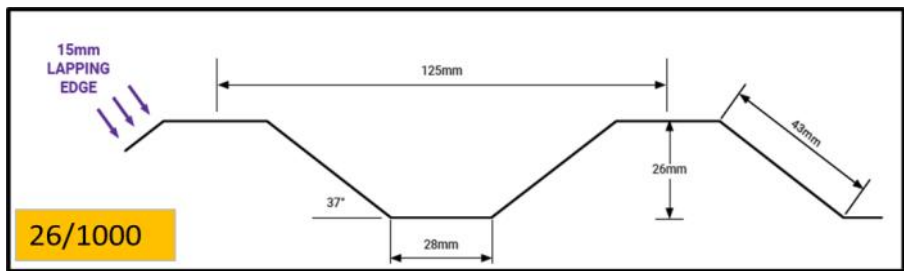
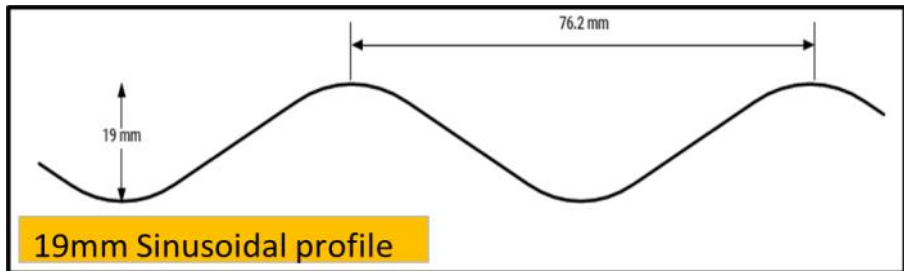
XT-SS

Xtreme Sheeting™ (Steel)

Stock colours (other colours available to order but with longer lead times.)

Gauge	Paint system	Warranty period (max)	Fire rating	Substrate	Metallic (Matt)		Solid Colours										Lead time
					Colours shown are for indication purposes only												
0.7mm	Prisma	40 years	A1 (BS EN13501-1)	Steel	Sirius RAL 9006	Orion RAL 9007	White RAL 9010	Alaska Grey RAL	Anthracite RAL 7016	Black (9005)						7-10 days	
	HPS 200	40 years	C-s2, d0 (BS EN13501-1) Class 0 BS 476-6	Steel	N/A		Goosewing Grey	Black	Alaska Grey	Albatross	Sargasso	Hamlet	Merlin Grey	Pure Grey	Anthracite		White
	Tata Leathergrain (some colours also available in 0.5mm)	25 years	C-s2, d0 (BS EN13501-1) Class 0 BS 476-6	Steel	N/A		Anthracite	Black	Moorland Green	Heritage Green	Olive Green	Juniper Green	Raven	Albatross	Hamlet		White
	Eco Leathergrain	20 Years	C-s2, d0 (BS EN13501-1) Class 0 BS 476-6	Steel	N/A		Honesty	Mushroom	Terracotta	Vandyke Brown	Goosewing Grey	Ocean Blue	Wedgewood Blue	Sargasso	Merlin Grey		
	Unpainted	None	A1	Galvanised Steel			Juniper	Black	Goosewing Grey	Anthracite							

Minimum order on all profiles and paint finishes = 150 lm (0.7mm) 200 lm (0.5mm)



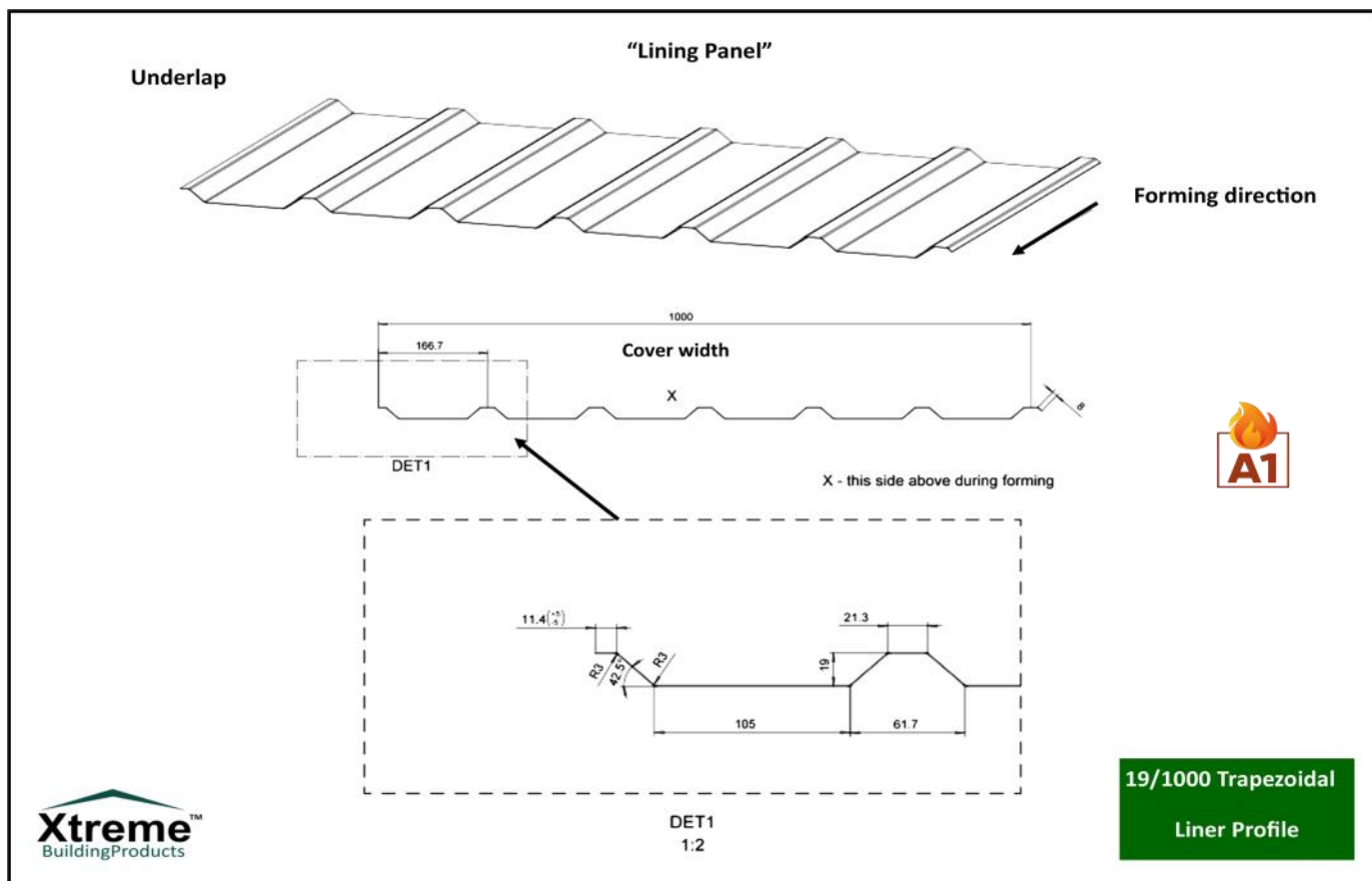
- ◆ Steel sheeting suitable for roof and wall cladding applications.
- ◆ Paint warranty available from 20—40 years on paint finishes.
- ◆ Available in A1 fire rating.
- ◆ Full range of std and bespoke flashings available.
- ◆ Ideal for new build or refurbishment .
- ◆ Full range of steel top hats, ventilation strips, intumescent strips, fixings and ancillary items.
- ◆ Made in the UK.




32/1000 also available with Anticon (Anti condensation fleece)

XT-SS

Xtreme Sheeting™ (Steel)



- ◆ Steel liner sheet suitable for roof and wall cladding applications.
- ◆ Paint warranty available from 20—40 years on paint finishes.
- ◆ Available in A1 fire rating. 
- ◆ Full range of std and bespoke flashings available.
- ◆ Ideal for new build or refurbishment projects
- ◆ Full range of steel top hats, ventilation strips, intumescent strips, fixings and ancillary items.
- ◆ Made in the UK.

Minimum order on all profiles and paint finishes = 150 lm (0.7mm)
200 lm (0.5mm)



Xtreme flashings™ (Steel)

- ◆ Standard range of flashings to suit Xtreme sheeting profiles.
- ◆ Available in wide range of std colours.
- ◆ Paint systems are Tata leathergrain, Eco leathergrain, HPS 200 and Prisma.
- ◆ Warranties from 20-40 yrs depending on paint system.
- ◆ A1 fire rating on Prisma coating.
- ◆ 0.7mm std gauge

Bargeboards



This flashing is used to seal up the side of a roof. On a single slope roof it also seals the top. Standard dimensions are; 235mm x 150mm x 3000mm (90° angle). Includes 2 x 10mm welts.

(The area coloured blue is the painted side.)

Apron flashing



This flashing is used for sealing where you have roof or wall sheets butting up to a flat surface, to give an effective seal. Standard dimensions are; 193mm x 193mm x 3000mm (90° angle). Includes 2 x 10mm welts.

(The area coloured blue is the painted side.)

Drip flashing



This flashing is used at the bottom of a wall sheet to direct water away from the base of the building. Standard dimensions are; 100mm x 40mm x 20mm x 3000mm. Includes 1 x 10mm welts.

(The area coloured blue is the painted side.)

Corner flashing



This flashing is used for joining and sealing corners. Standard dimensions are; 193mm x 193mm x 3000mm (90° angle). Includes 2 x 10mm welts.

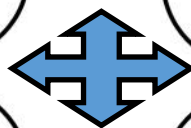
(The area coloured blue is the painted side.)

Ridge flashing



This flashing is used to cover and seal any gaps between two surfaces. Most commonly used on apex roofs at the ridge. Standard dimensions are; 193mm x 193mm x 3000mm (120° angle). Includes 2 x 10mm welts.

(The area coloured blue is the painted side.)



XT-PLA

XTREME PLANK SYSTEM

ALUMINIUM

DESIGN FEATURES

Xtreme plank system is a unique aluminium plank system that can be trimmed on site and has a range of unique snap-on trims to detail all four sides of a façade.

MATERIAL

1050 H14 Aluminium alloy with a powder coated finish to requirements of BS6496: 1984:10:6 / BS EN ISO 12206-1:2004.

NOTE

Also available as a range of panels, soffits, dummy and vented louvres etc., with common male and female joinery to suit most applications. Made in the UK.

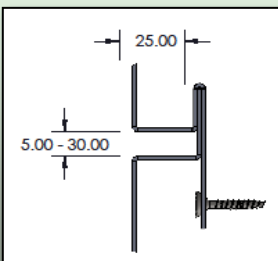


Product Details

Xtreme Panels, Planks, fascias and soffits are suitable for a wide range of commercial and domestic applications, both new build and retrofit. All of our products are available in an extensive choice of colours, substrates and finishes, both solid perforated, allowing you to seamlessly blend with the existing façade or create striking, contrasting details. Our profiles provide a crisp, clean finish on any project and we also manufacture all the flashings and trims for a fully integrated appearance. Fire rated to A1 and A2 depending on paint systems.

All Xtreme façade products are:

- ◆ Individually designed and manufactured to customer requirements.
- ◆ Can be powder coated or made out of pre-coated material to a large range of high quality colours.
- ◆ Are supplied with a warranty of up to 40 years.
- ◆ Panels have a common joint, secret fix architecture to integrate different products from the range.
- ◆ Available in lengths from 100mm to 4m and widths from 100mm to 650mm. In line with MCRMA requirements for flatness. (Sheet only, no stiffeners)



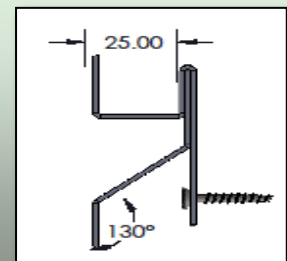
(Xtreme Plank) (XT-PLA) 25mm (slim panel)

1.5mm gauge. 4kg / 3m length

200mm cover width (custom sizes on request)

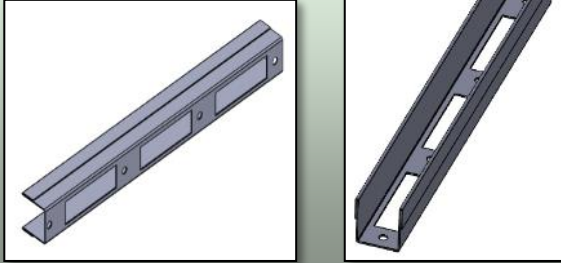
shadow gap 5 -30mm. Std 10mm

Option, 130° shiplap self cleaning joint



(All Xtreme trims are in 3metre standard lengths)

Universal trim carrier



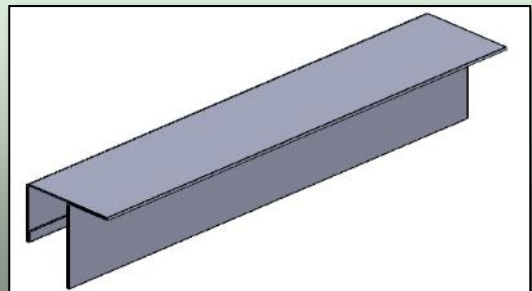
Aluminium trim used as a carrier for all panel plank and soffit trims. (except panel corner trim).



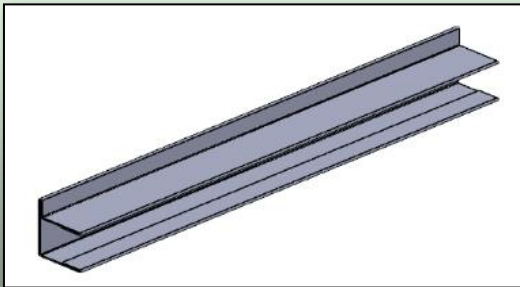
External aluminium corner trim to cover two panel edges at the corner detail.



External panel corner trim



4 Position panel trim (single fin)



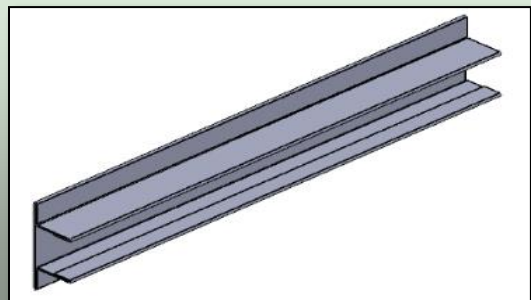
Aluminium cover trim used vertically left or right, or as a header and base trim for cut or complete panels.



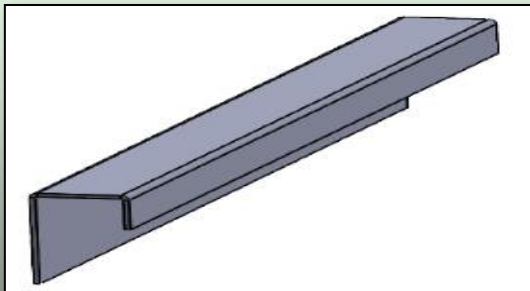
Aluminium cover trim used vertically between panels or as a base trim for cut or complete panels where a drip angle is required.



2 Position panel trim (double fin)



Cut edge panel support profile



Aluminium support trim used with a cut edge panel for edge support.



XT-LS

XTREME LOUVRE SYSTEM

DESIGN FEATURES

Xtreme louvres are designed as dummy louvres or with perforated areas for free air flow. Common joinery allows them to be integrated with other Xtreme panel and plank products.

MATERIAL

1050 H14 Aluminium alloy with a powder coated finish to requirements of BS6496: 1984:10:6 / BS EN ISO 12206-1:2004.

NOTE

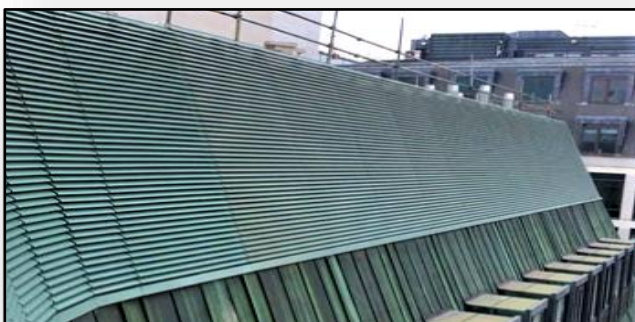
Part of the Xtreme modular façade range, designed to integrate with a range of other façade products. Made in the UK.

Product details

Xtreme louvres are a cost effective louvre solution for a host of applications. Easy to install with secret fix architecture, they can easily integrate into many façade styles. New build or retrofit, available as dummy louvres or as perforated air flow louvres. Up to 4m in length, they have been used to cover plant areas, or used as a decorative façade. Powder coated to A2 fire classification in a range of high quality colour finishes to Qualicoat standards, or A1 in pre-coated aluminium.



Tamlyn UK , winners of the Global innovations award for their Xtreme aluminium cladding system. IBS show, Las Vegas 2024



XTREME tapes and membranes



(XT-ISO) Xtreme isolating tape

Self adhesive, black EPDM jointing tape used as an isolating membrane between the steel top hat and aluminium panel or fibre cement plank. The product also acts as a sound deadening layer and reduces the effect of cold bridging. Meeting the requirements of DIN 18516 part 1. 0.75mm x 70mm and 25m long

(XT-VB) Xtreme vapour barrier

Xtreme vapour barrier is a EPDM (ethylene propylene diene monomer) membrane that prevents water and air leakage in construction. UV resistant, permanently flexible and with superior moisture resistant properties. Compatible with many other construction products and perfect as a weatherproof seal under cappings and in many other construction applications.

Rolls available in widths from 100mm up to 1400mm and sold in 50mm increments, to suit most installation scenarios. Available in 2000mm and 2500mm lengths. 0.75mm thick.

Heavy weight membrane with sound deadening properties and long-life expectancy.



(XT-BT) Xtreme butyl tape

Xtreme butyl tape is a Double sided, solvent-free tape based on butyl. Designed for joining and sealing vapour insulation membranes, roof membranes, damp proof and gas resisting membranes as well as plastic based construction membranes. Also seals aluminium flashings and stays permanently flexible. An environmentally friendly product. Adhesive surface is protected with plastic film.



(XT-CT) Xtreme compressible tape

Xtreme compressible tape is a soft and flexible open cell polyurethane foam impregnated with acrylic based UV stabilised resin. Weather-tight against severe combinations of wind and rain and used as an external weather seal in building and civil engineering applications. Full BBA approval (cert 96/3309) with an extensive reputation in the UK and Europe



XT-CAP

XTREME CAPPING SYSTEM

DESIGN FEATURES

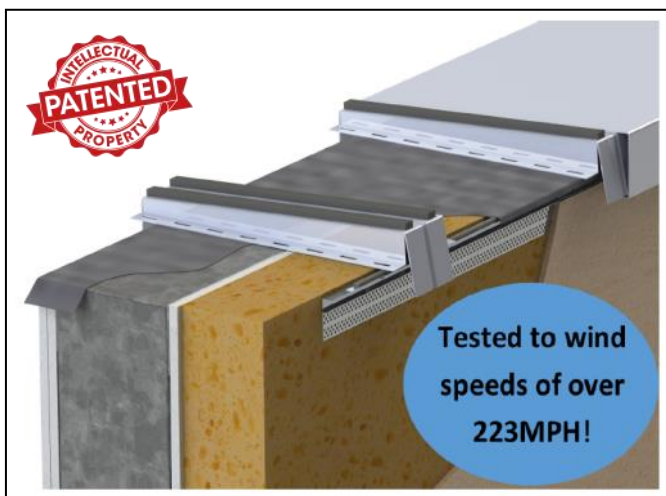
Fully tested, weatherproof, fast installation aluminium capping system. No visible fixings, powder coated to any standard RAL, Up to 40 years paint warranty.

MATERIAL

1050 H14 Aluminium alloy with a powder coated finish to requirements of BS6496: 1984:10:6 / BS EN ISO 12206-1:2004.

NOTE

Available in a range of widths ranging from 100mm up to 1000mm. Built in pitch of 5degrees which negates the need for timber to create a fall. Bespoke enquiries welcome. Site measures also available.



Product Details

Xtreme made to measure Aluminium cappings provide economical and stylish protection to parapet walls. They provide the perfect aesthetic finish to your project and are easy to handle and quick to install.

Suitable for new build or retrofit projects, the system has been fully tested for extreme wind uplift.

Xtreme cappings are secret fix and incorporate a sloping bracket with built in 5 degree pitch. Together with weather resistant foam on the joints, it is a completely engineered solution.

The system also incorporates a robust EPDM membrane which eliminates the need for marine ply and also seals across the cavity to protect during installation and against interstitial condensation under the capping.



All Xtreme cappings are:

- ◆ Manufactured in the UK.
- ◆ Economical, weatherproof and easy to install.
- ◆ Have no visible fixings.
- ◆ Can be supplied in a range of shapes, including T sections, stop ends, corners and upstands.
- ◆ Can be powder coated to any standard RAL colour to Qualicoat standards (warranty up to 40 years).



XT-TH

XTREME TOP HATS

DESIGN FEATURES

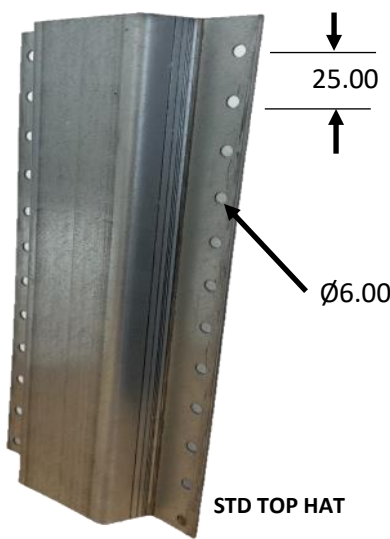
Xtreme top hats are precision made for vertical or horizontal applications in a range of materials, hole configurations and sizes.

MATERIAL

Galvanised steel to ZS 275 (stock), also available to order are stainless steel to 304 2B or 1050 H14 Aluminium alloy, mill finished or coated.

NOTE

Bespoke requirements welcome. Standard sizes available from stock. Manufactured in the UK.



Product Details

Xtreme top hats are a great alternative to using wooden or composite battens when fire safety or structural integrity is of paramount importance. Galvanised steel are stock items, but aluminium or stainless steel options are available which also achieve A1 fire ratings by the very nature of the material.

Xtreme top hats are stocked in commonly sized options. (see below). There are a number of other standard sizes available to suit horizontal and vertical applications, and we can manufacture any bespoke requirements.

Vented and non-vented options are available and pre-drilled holes can be designed-in on request.

The perfect complement to any fire rated cladding system. Manufactured and stocked in the UK.

Standard products

Description / product code	Material	Dimensions (mm)
(XT-TH-25) for 25mm cavity	1.5mm Galvanised steel	25 x 25 x 60 x 25 x 25 (3000 length)
(XT-TH-38) for 38mm cavity	1.5mm Galvanised steel	25 x 38 x 60 x 38 x 25 (3000 length)
(XT-TH-50) for 50mm cavity	1.5mm Galvanised steel	25 x 50 x 60 x 50 x 25 (3000 length)



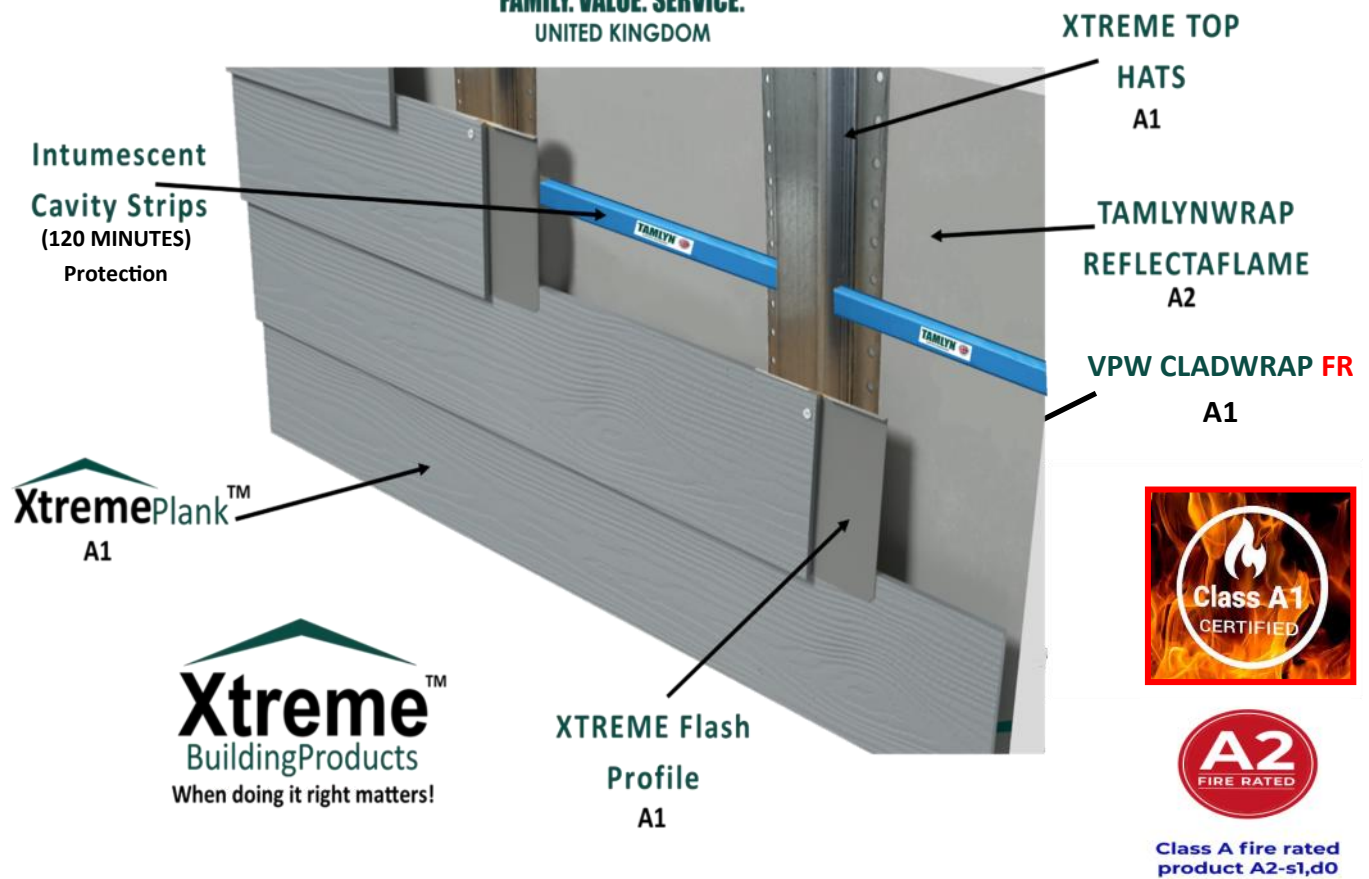
Any sizes or gauges made to order

XTREME FIRE WALL SYSTEM

At Tamlyn we don't believe in waiting for legislation to change regarding outdated building regulations relating to the fire proofing of buildings. We have been advocating A1 and A2 fire rated products since we set up in the UK. Not just at height, but from ground level, and on any structure!

From our Xtreme Reflectaflame wall wrap, right through to the external façade we have been offering fire proof construction. Whether you need a fibre cement product like our Xtreme plank, or an aluminium panel, façade or dummy louvre product, they are all fire rated.

Our support products are galvanised steel or aluminium, and we have the best performing wall membranes regarding fire, breathability and head of water resistance. Please talk to us for more information.



When it comes to fire safety , you cannot compromise your choice of products. It isn't worth the risk!



XTREME CAVITY BARRIER STRIPS

DESIGN FEATURES

Xtreme cavity strips are 30mm wide with a plastic facing and integrated tape on the back. Available in two stock sizes for filling cavity voids horizontal and vertical.

MATERIAL

Flexible PVC and foiled clad intumescent material with self adhesive backing material. Available in 1m lengths. (longer lengths available on request).

Tested to BS476 parts 20, 22 and BS EN 1364-1 (1999), BS EN 1363-1 +2 (1999)+(2012), BS EN 1364-6 2016

FIRE TEST PERFORMANCE

BS EN 1363-1 (1999)	up to 120 min
BS EN 1363-2 (2012)	up to 120 min
BS EN 1364-1 (1999)	up to 120 min
BS EN 1364-6 (2016)	Up to 120 min



UK construction has seen a change in emphasis on construction methods, with timber and steel frame structures being utilised to a greater extent. These structures can be clad with a range of products from cementitious planks, to aluminium rainscreen, to timber and tiled systems. Fire proofing the cavity is a crucial design element, and Tamlyn have the cost effective, easy to install solution, with the Xtreme Cavity Strip Barrier.

The strips contain an intumescent material that expands in a fire to effectively block off the cavity to contain the fire and prevent it from spreading behind the façade.

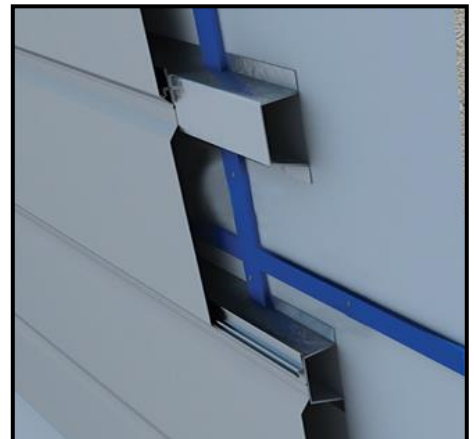
Positioned using the tape attached to the product then fixed by using staples, nails or screws back to the substrate. The product is flexible and can be used on profiled or curved faces.



For 25-38mm timber battens or when using our XT steel or aluminium top hats use XT 4-30-1

For 50mm timber battens or when using our XT steel or aluminium top hats use XT 6-30-1

(measure from the substrate wall to the back of the rainscreen to make sure of the correct size.)



Product code	Thickness	Width	Gap size protection
XT 4-30-1	4mm	30mm	≤ 45mm
XT 6-30-1	6mm	30mm	≤ 60mm



XTREME BESPOKE PRODUCTS

DESIGN FEATURES

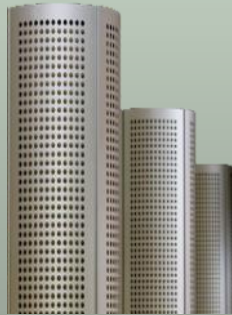
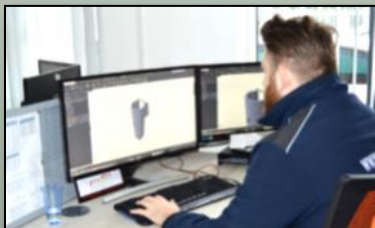
Please contact us for assistance with any one-off, bespoke designs, or to complement a system or project you are designing. (Site measures available)

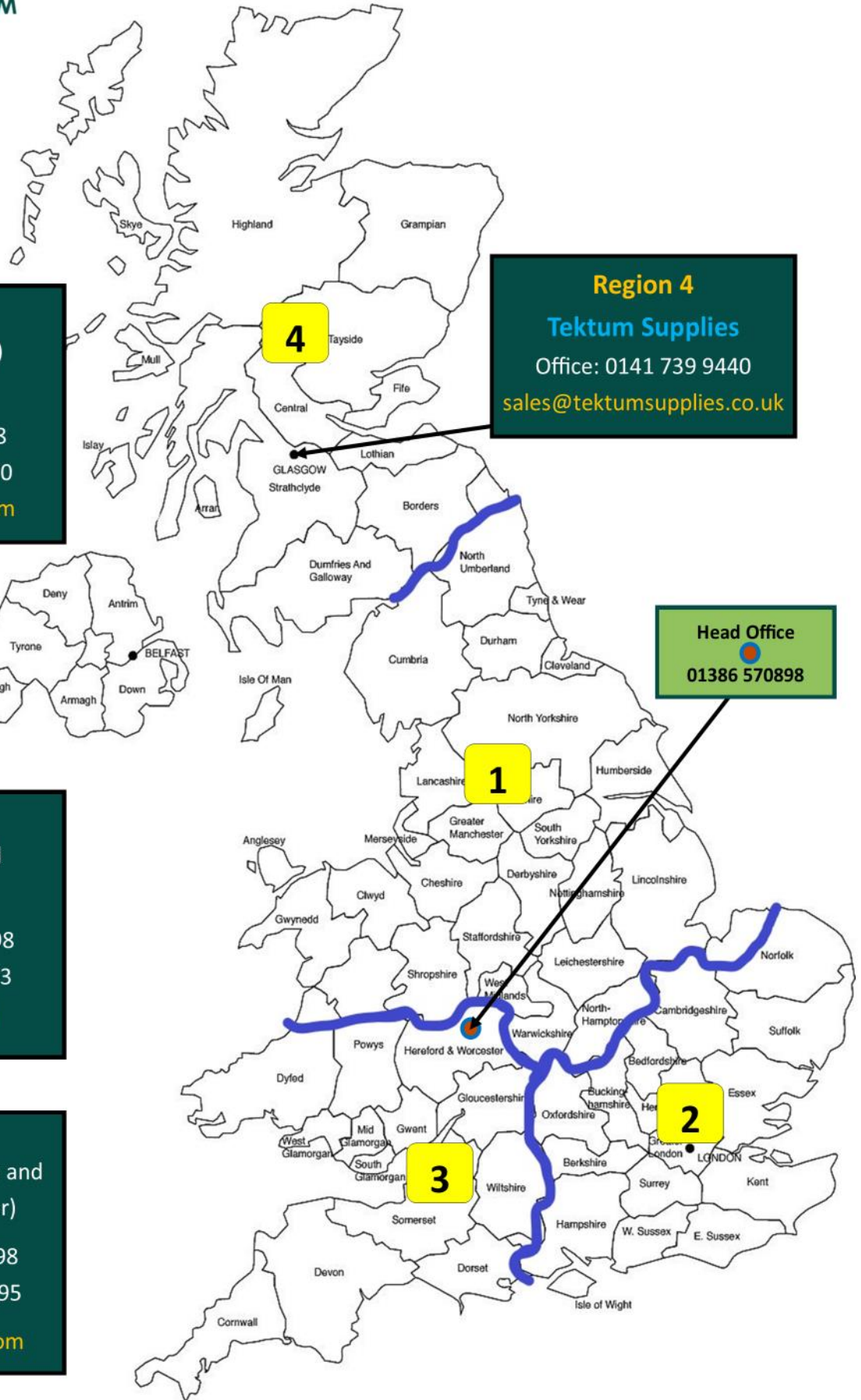
MATERIAL

A range of aluminium alloys, stainless steel, galvanised or mild steel, with a range or guaranteed paint finishes to Qualicoat standards.

NOTE

Products are designed and drawn by CAD, and manufactured using state of the art equipment. Laser cutting, turret punches, TIG welding, and high quality coatings are utilised, and, as always, proudly made in the UK.





Chris Mitchell
(Managing Director)
UK and Europe
Office: 01386 570898
Mobile: 07582 901900
cmitchell@tamlyn.com

Region 4
Tektum Supplies
Office: 0141 739 9440
sales@tektumsupplies.co.uk

Head Office
01386 570898

Breta Hill
(UK Commercial and
Finance Manager)
Office: 01386 570898
Mobile: 07481 332923
bhill@tamlyn.com

Tori Wright
(UK Customer Services and
Operations Manager)
Office: 01386 570898
Mobile: 07754 895795
twright@tamlyn.com

sales@tamlyn.uk

TAMLYN®

FAMILY. VALUE. SERVICE.



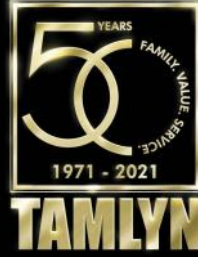
TEAM TAMLYN MAY 22nd 2023



LOCATIONS

- Houston
- Europe
- Dallas
- Rio De Janeiro
- Mexico City
- Seoul
- Shanghai
- United Kingdom

XtremeTM
BuildingProducts
When doing it right matters!



UK & Europe Product Catalogue

www.tamlynbuildingbuildingproducts.co.uk

UK Office 01386 570898 sales@tamlyn.uk

TAMLYN[®]
FAMILY. VALUE. SERVICE.
UNITED KINGDOM



FAÇADE PRODUCTS | ALUMINIUM TRIMS | BUILDING WRAPS | UNDERLAYS | FIXINGS | FABRICATIONS | FIRE PROTECTION



UK Head Office

Unit 1A, Generation House,
Crab Apple way, Vale Business Park,
Evesham, Worcestershire, WR11 1GP