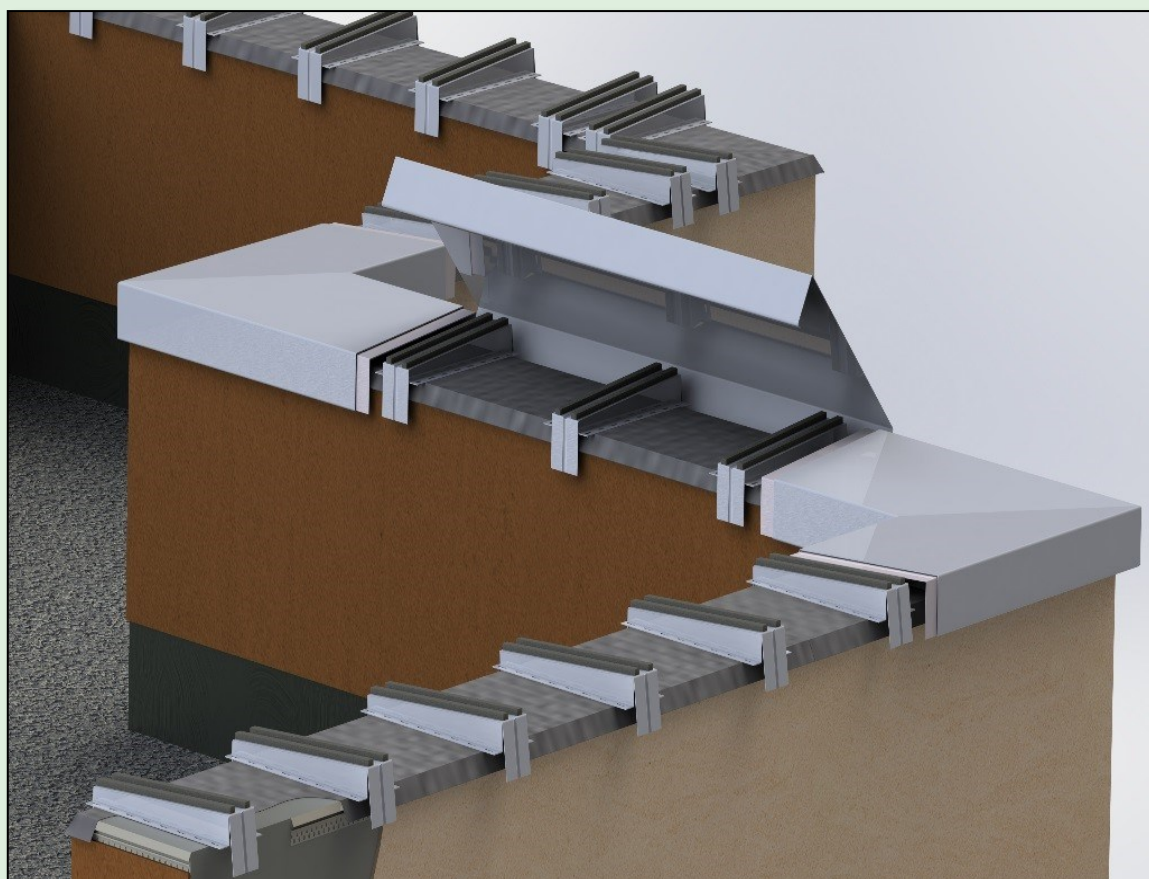


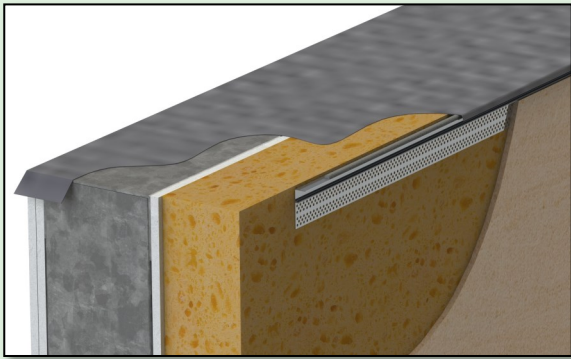
TAMLYN[®]
UNITED KINGDOM

Xtreme Capping[™]



installation Guide



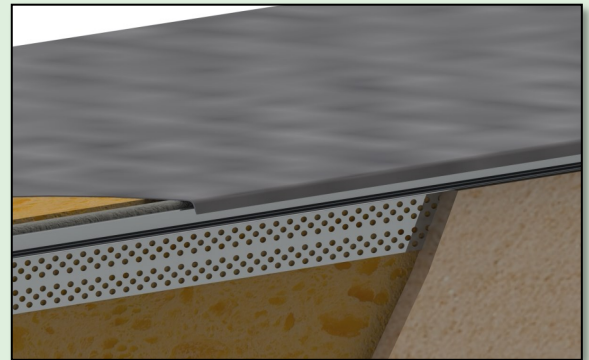


1

Place the vapour barrier along the parapet ensuring an even amount overhangs each side, this ensures a weather-tight seal can be created.

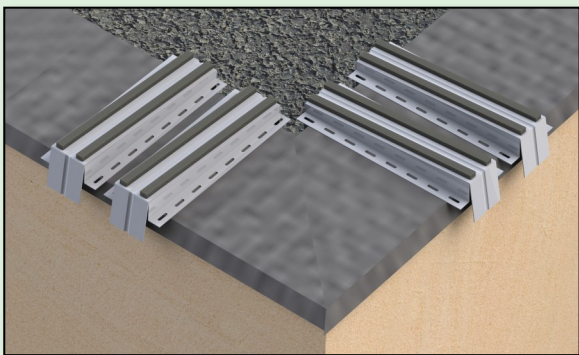
2

Once happy with the layout of the membrane, peel back the protective tape from the fire stop bead and carefully press the vapour barrier onto the adhesive strip.



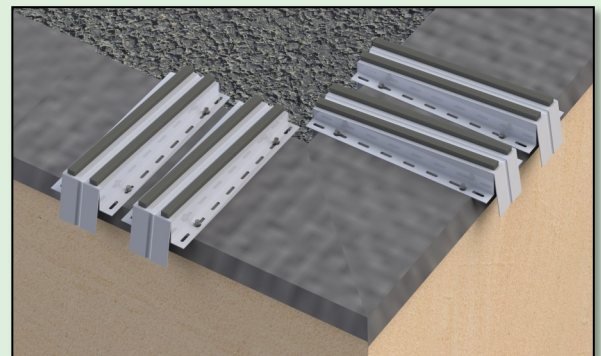
3

Using a plumb-line, lay out the brackets onto the parapet to establish the optimum positioning. Always allow 2 brackets per corner leg and a space of 720mm centres along the remainder of the parapet. Brackets must be kept clear of the jointing sections between successive coping lengths, so they do not clash with the joining pieces.



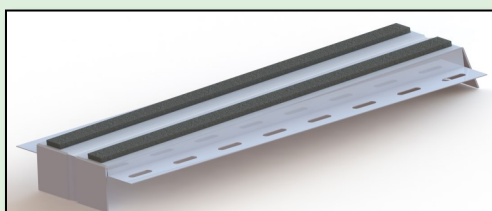
4

Once you are happy with the 'dry run' bracket positioning, fix the brackets using mechanical fixings which are suitable for the substrate. Use 3 fixings per side for optimum strength. Use 2 fixings as a minimum at the outer edges. (as shown)



5

Apply two parallel strips of expanding tape to the top of the retention brackets.



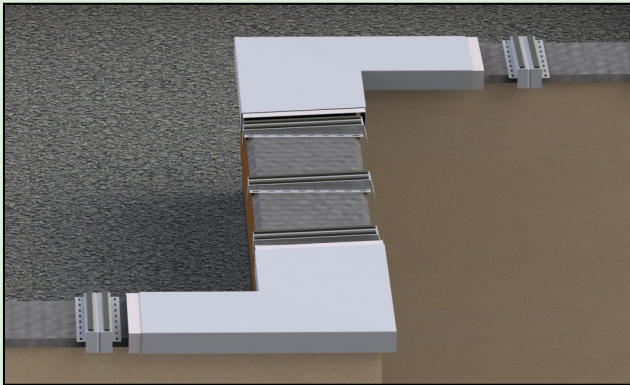
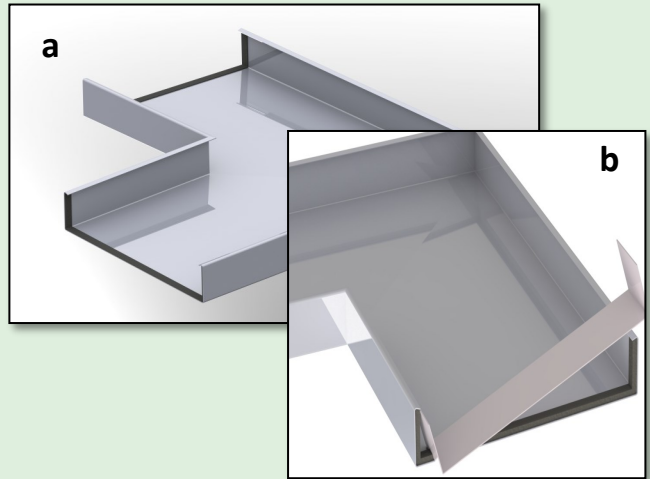
6

Apply Wemiseal tape to the underside of the open ends of each leg of the coping corner.

(a)

Snap the jointing strip into position.

(b)



7

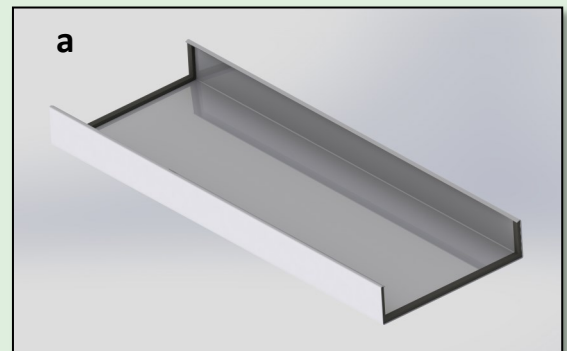
Snap the corner pieces into position first over the previously installed retention brackets.

8

Likewise with the straight lengths, apply the Wemiseal tape to the ends and snap a joint strip where applicable.

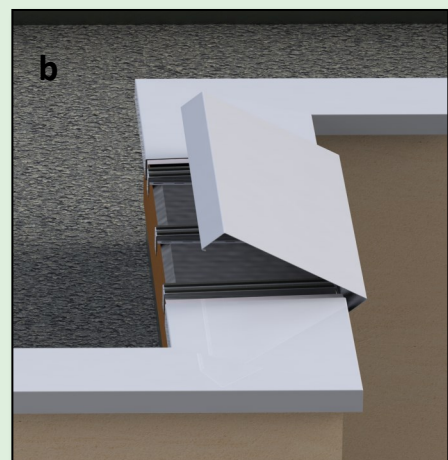
(a)

Snap the intermediate lengths into place between the corners remembering to leave a 3mm expansion gap between each length. (b)



9

NB; The last length to be fitted in any given run may need to be trimmed to size. This should be done carefully with a suitable fine toothed aluminium cutting blade, nibbler or reciprocating saw . Do not attempt to cut the copings using an angle grinder, or other heavy duty cutting equipment.



TAMLYN[®]

UNITED KINGDOM

UK North: 07754 895795

UK South: 07754 895780

UK Sales office: 07841 332923

sales@tamlyn.uk

www.tamlynbuildingproducts.co.uk

